

**NINZ**®  
FIREDOORS

## Glazed aluminum doors

**"the top of the line  
in transparent safety"**

# Features

## Glazed aluminum doors



### ONE-LEAVED REI 60

- REI 60 fire-rated glazed casing made of special steel/ aluminum profiles.
- Heavy steel two-wing hinges welded onto the profile rotate on thrust-bearing cushions and stainless steel pivots.
- Self-locking lock, to be opened by simple rotation of the handle.
- 'Yale' cylinder in nickel-plated brass.
- Stainless steel handle mounted at 1040mm above the finished floor level or at 965mm when combined with Fast Touch panic bars.
- Self-closing device via overhead door-closer with slide channel.
- Rebate sealing and thermo-expansive materials.
- Fire rated glass composed of extra-clear float panels with thermo-expansive fire proof material interposed.
- Special finishing with thermoset powder paints.
- Subframe to be ordered separately, made of hollow galvanized steel profiles with anchors for mortar fixing (60 x 20 x 2 mm).
- One-leaved REI 60 glazed fire door in conformity with UNI 9723.

### Dimensions

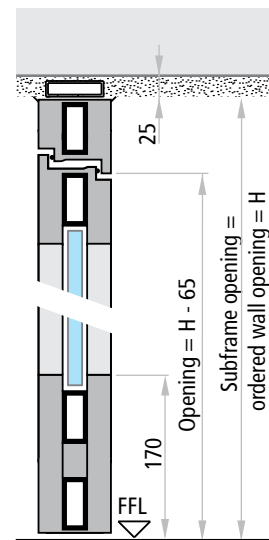
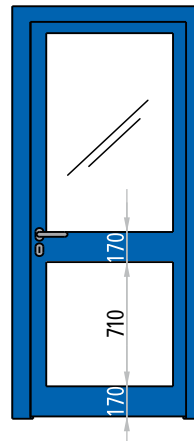
minimum width	L = 700
minimum width with panic bar	L = 700
maximum width with or without panic bar	L = 1400
minimum height allowed	H = 1810
minimum height for escape routes	H = 2065
maximum height allowed	H = 2400

### Net passage with 90° opening

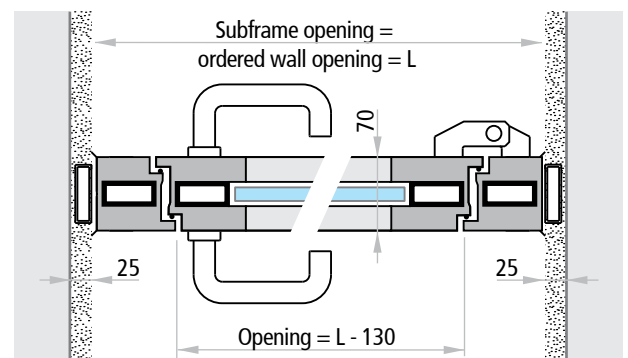
with EXUS panic bar	L - 321 mm
with FAST TOUCH panic bar	L - 271 mm
without panic bar	L - 196 mm

### Data table

	REI 60
casing thickness	70 mm
door weight	80 kg/m <sup>2</sup>
approx. glass thickness	23 mm



**NOTE**  
For other dimensions please contact the Ninz technical department.

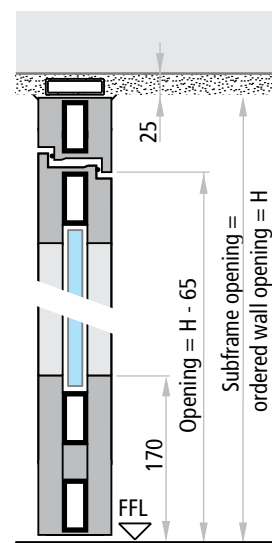
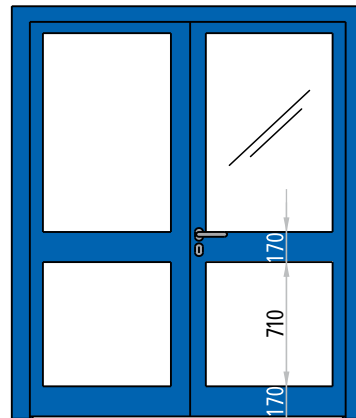


# Features

## Glazed aluminum doors

### REI 60 WITH TWO LEAVES

- REI 60 fire-rated glazed casing made of special steel/ aluminum profiles.
- Heavy steel two-wing hinges welded on to the profile rotate on thrust-bearing cushions and stainless steel pivots.
- Self-locking lock, to be opened by simple rotation of the handle.
- 'Yale' cylinder in nickel-plated brass.
- Stainless steel handle mounted on active (main) leaf at 1040mm above the finished floor level or at 965mm when combined with Fast Touch panic bars.
- Self-closing device composed of double door closer with slide channel and integrated closing regulator.
- Self-locking latch on inactive leaf.
- Rebate sealing and thermo-expansive materials.
- Fire rated glass composed of extra-clear float panels with thermo-expansive fire proof material interposed.
- Special finishing with thermoset powder paints.
- Subframe to be ordered separately, made of hollow galvanized steel profiles with anchors for mortar fixing (60 x 20 x 2 mm).
- Two-leaved REI 60 glazed fire door in conformity with UNI 9723 consisting of:



**NOTE**  
For other dimensions please contact the Ninz technical department.

### Dimensions

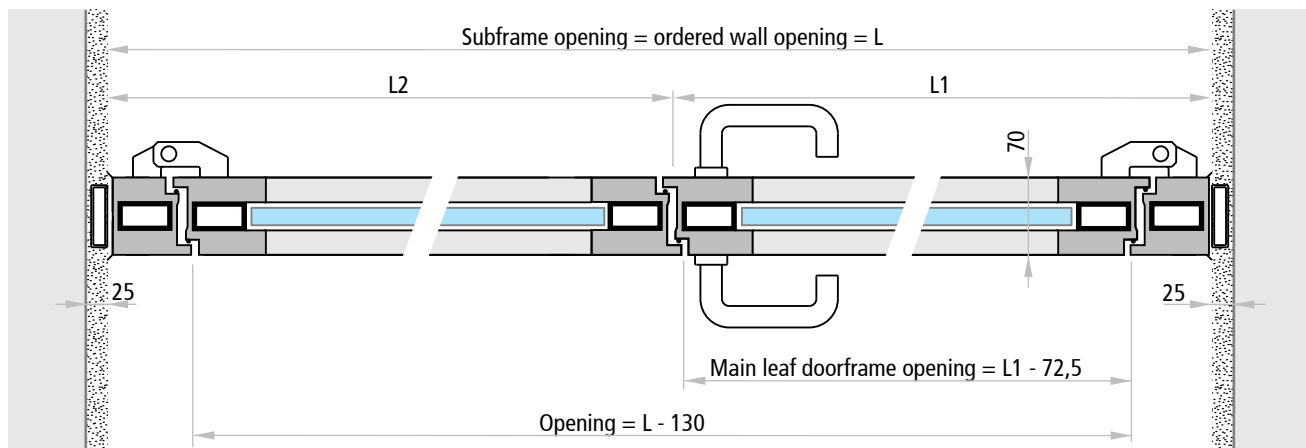
min. width	L = 1320 (L1 ≥ 567 L2 ≥ 420)
min. width with panic bar	L = 1500 (L1 ≥ 750 L2 ≥ 600)
max. width with or without panic bar	L = 2580 (L1=1290 L2 = 1290)
min. height allowed	H = 1810
min. height for escape routes	H = 2065
max. height allowed	H = 2400

### Net passage with 90° opening

with 2 EXUS panic bars	L - 512 mm
with 2 FAST TOUCH panic bars	L - 412 mm
without panic bars	L - 262 mm

### Data table

	REI 60
casing thickness	70 mm
door weight	80 kg/m <sup>2</sup>
approx. glass thickness	23 mm



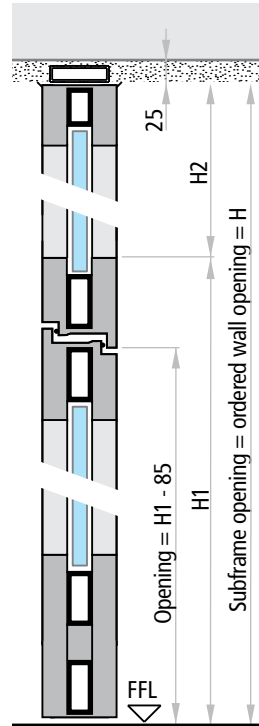
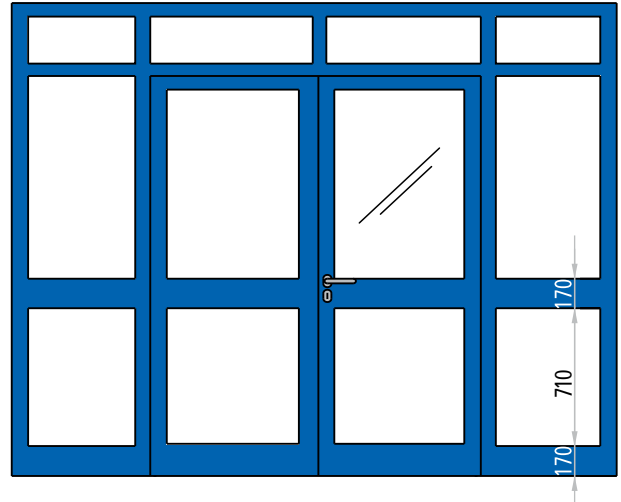
# Features

## Glazed aluminum doors



### REI 60 WITH FIXED ELEMENTS

- REI 60 fire-rated glazed casing made of special steel/ aluminum profiles.
- Heavy steel two-wing hinges welded on to the profile rotate on thrust-bearing cushions and stainless steel pivots.
- Self-locking lock, to be opened by simple rotation of the handle.
- 'Yale' cylinder in nickel-plated brass.
- Stainless steel handle mounted on active (main) leaf at 1040mm above the finished floor level or at 965mm when combined with Fast Touch panic bars.
- Self-closing device composed of double door closer with slide channel and integrated closing regulator.
- Self-locking latch on inactive leaf.
- Rebate sealing and thermo-expansive materials.
- Fire rated glass composed of extra-clear float panels with thermo-expansive fire proof material interposed.
- Special finishing with thermoset powder paints.
- Subframe to be ordered separately, made of hollow galvanized steel profiles with anchors for mortar fixing (60 x 20 x 2 mm).
- Complex REI 60 fire-rated glazed pane in conformity with UNI 9723.



#### NOTE

For other dimensions please contact the Ninz technical department.

Any joint that might be required to reduce size requirements for transport and on-site maneuvering shall be invoiced as separate items (maximum possible size without junctions is 2500 x 3000mm).

### Dimensions

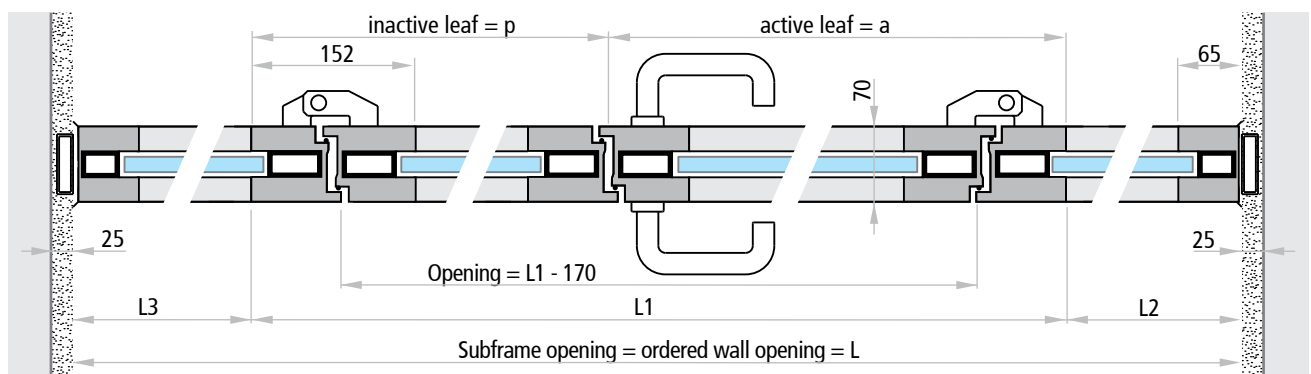
min. width	L1 = 1320	(a ≥ 567 p ≥ 420)
min. width with panic bar	L1 = 1500	(a ≥ 750 p ≥ 600)
max. width with or without panic bar	L1 = 2580	(a = 1290 p = 1290)
min. leaf height allowed	H1 = 1810	
min. leaf height for escape routes	H1 = 2085	
max. leaf height allowed	H1 = 2400	
L2, L3 and H2 measurements	min. 300	
recommended maximum (others on request)	L = 6000	H = 4000 area = 18m <sup>2</sup>

### Net passage with 90° opening

with 2 EXUS panic bars	L1 - 552 mm
with 2 FAST TOUCH panic bars	L1 - 452 mm
without panic bars	L1 - 302 mm

### Data table

	REI 60
casing thickness	70 mm
door weight	80 kg/m <sup>2</sup>
approx. glass thickness	23 mm

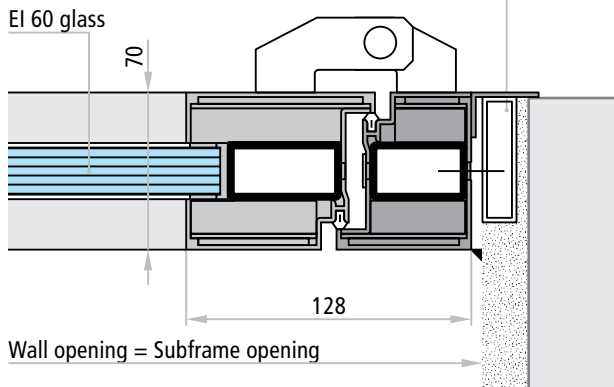


## REI 60 INSTALLATIONS

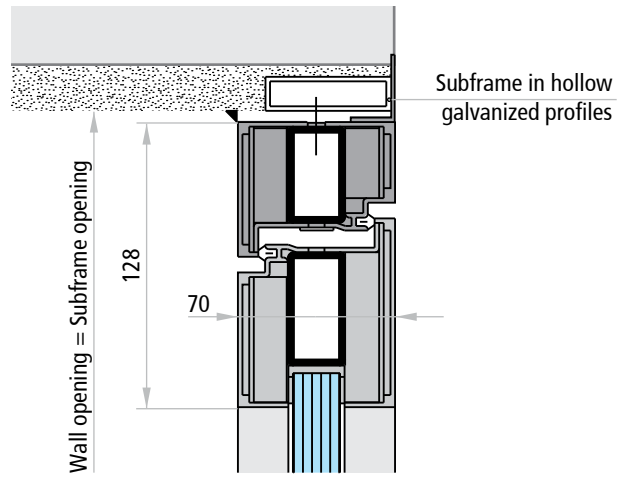
Fire-rated glazed closures made of steel/aluminum are made to measure, which means that the required dimensions and the selected installation method must be specified in the order.

### Installation (1): mounting on external rebate

Subframe in hollow galvanized profiles (60 x 20 x 2)



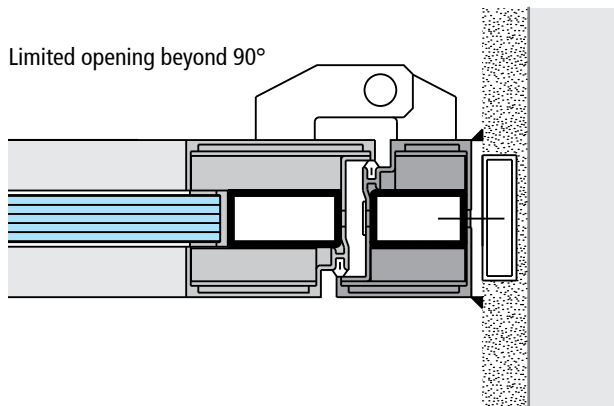
horizontal cross section



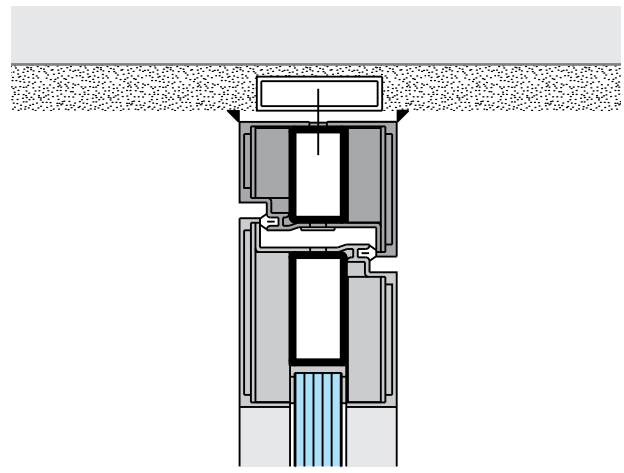
vertical cross section

### Installation (2): mounting onto block frame

Limited opening beyond 90°



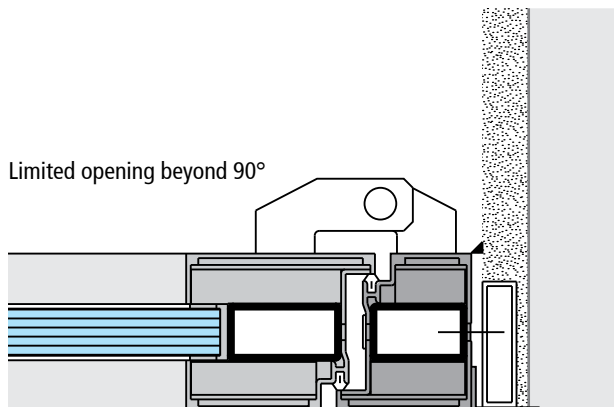
horizontal cross section



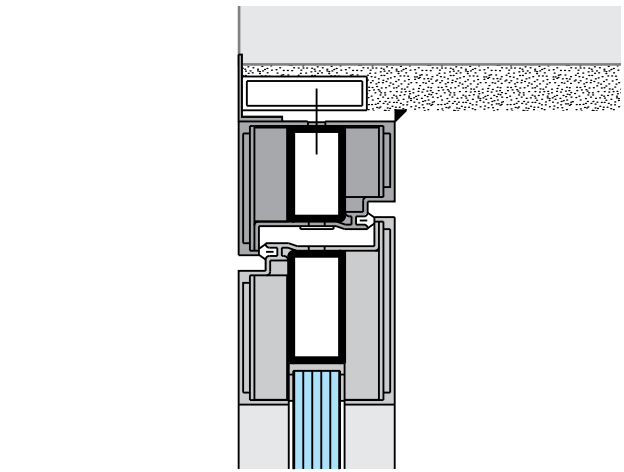
vertical cross section

### Installation (3): mounting on internal rebate

Limited opening beyond 90°



horizontal cross section



vertical cross section

# Features

## Glazed aluminum doors

### ONE-LEAVED

#### REI 90 AND REI 120 DOOR WITH LOCK RAIL EI<sub>2</sub>120 DOOR WITHOUT LOCK RAIL

- Fire-rated glazing made with special steel/aluminum profiles.
- Heavy steel three-wing hinges welded on to the profile rotate on thrust-bearing cushions and stainless steel pivots.
- Self-locking lock, to be opened by simple rotation of the handle.
- 'Yale' cylinder in nickel-plated brass.
- Stainless steel handle mounted at 1040 mm above the finished floor level or at 965 mm when combined with Fast Touch panic bars\*.
- Self-closing device via overhead door-closer with slide channel.
- Rebate sealing and thermo-expansive materials.
- Fire rated glass composed of extra-clear float panels with thermo-expansive fire proof material interposed.
- Special finishing with thermoset powder paints.
- Subframe to be ordered separately, made of hollow galvanized steel profiles with anchors for mortar fixing (80 x 20 x 2 mm).
- One-leaved REI 90 and REI 120 glazed fire door in conformity with UNI 9723.
- One-leaved EI<sub>2</sub>120 glazed fire door in conformity with EN 1634-1.

### Dimensions

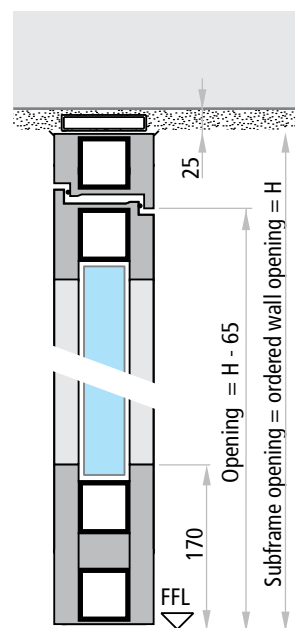
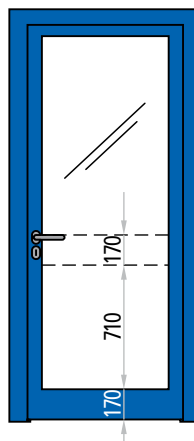
minimum width	L = 700
minimum width with panic bar	L = 700
maximum width with or without panic bar	L = 1320
minimum height allowed	H = 1810
minimum height for escape routes	H = 2065
maximum height allowed	H = 2200

### Net passage with 90° opening

with EXUS panic bar	L - 346 mm
with FAST TOUCH panic bar*	L - 296 mm
without panic bar	L - 221 mm

### Data table

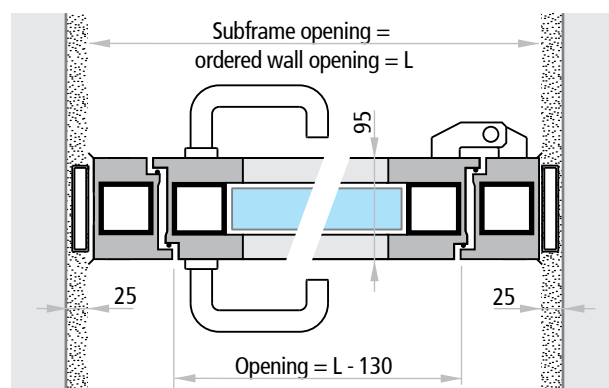
	REI 90	REI 120, EI <sub>2</sub> 120
casing thickness	95 mm	95 mm
door weight	130 kg/m <sup>2</sup>	140 kg/m <sup>2</sup>
approx. glass thickness	48 mm	52 mm



### NOTE

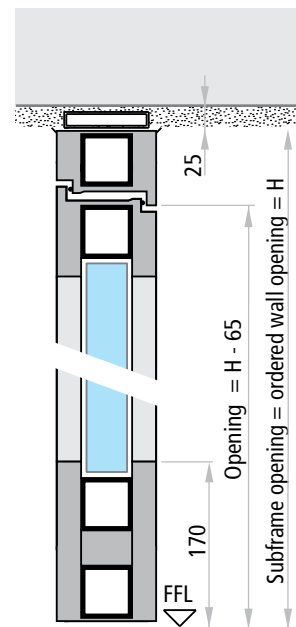
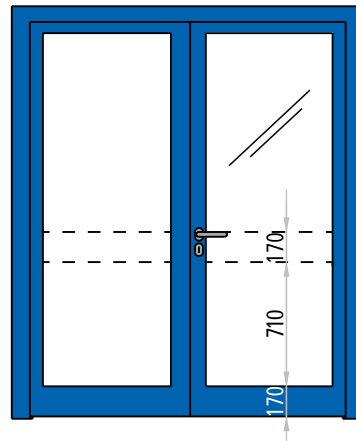
For other dimensions please contact the Ninz technical department.

\* Fast Touch panic bar to be installed only on glazed doors with lock rail.



## TWO-LEAVED REI 90 AND REI 120 DOOR WITH LOCK RAIL EI<sub>2</sub>120 DOOR WITHOUT LOCK RAIL

- Fire-rated glazing made with special steel/aluminum profiles.
- Heavy steel three-wing hinges welded onto the profile rotate on thrust-bearing cushions and stainless steel pivots.
- Self-locking lock, to be opened by simple rotation of the handle.
- 'Yale' cylinder in nickel-plated brass.
- Stainless steel handle mounted on active (main) leaf at 1040 mm above the finished floor level or at 965 mm when combined with Fast Touch panic bars\*.
- Self-closing device composed of double door closer with slide channel and integrated closing regulator.
- Self-locking latch on inactive leaf.
- Rebate sealing and thermo-expansive materials.
- Fire rated glass composed of extra-clear float panels with thermo-expansive fire proof material interposed.
- Special finishing with thermoset powder paints.
- Subframe to be ordered separately, made of hollow galvanized steel profiles with anchors for mortar fixing (80 x 20 x 2 mm).
- Two-leaved REI 90 and REI 120 glazed fire door in conformity with UNI 9723.
- Two-leaved EI<sub>2</sub>120 glazed fire door in conformity with EN 1634-1.



### NOTE

For other dimensions please contact the Ninz technical department.

\* Fast Touch panic bar to be installed only on glazed doors with lock rail.

### Dimensions

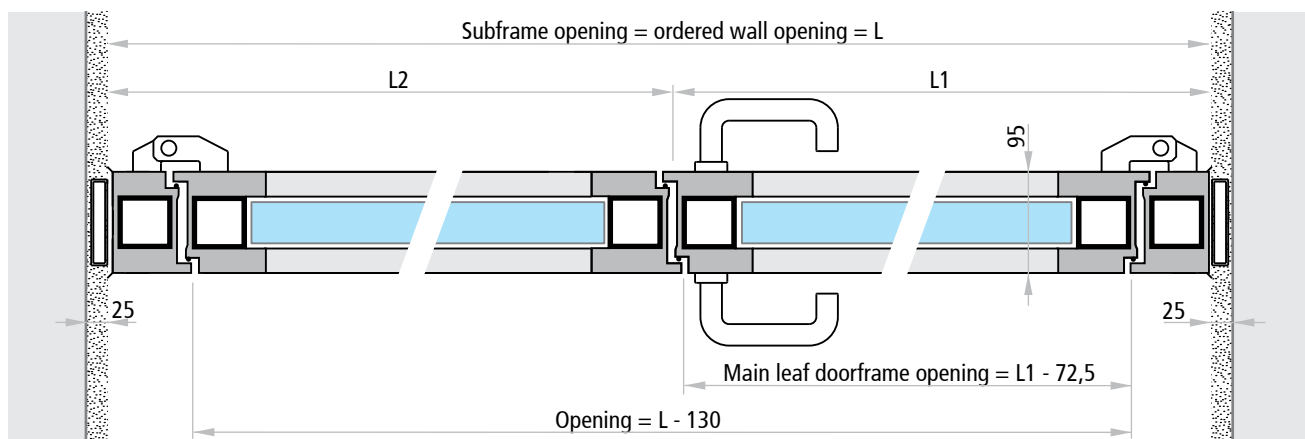
min. width	L = 1320 (L1 ≥ 567 L2 ≥ 420)
min. width with panic	L = 1600 (L1 ≥ 800 L2 ≥ 700)
max. width with or without panic bar	L = 2400 (L1=1200 L2=1200)
min. height allowed	H = 1810
min. height for escape routes	H = 2065
max. height allowed	H = 2200

### Net passage with 90° opening

with 2 EXUS panic bars	L - 562 mm
with 2 FAST TOUCH panic bars*	L - 462 mm
without panic bars	L - 312 mm

### Data table

	REI 90	REI 120, EI <sub>2</sub> 120
casing thickness	95 mm	95 mm
door weight	130 kg/m <sup>2</sup>	140 kg/m <sup>2</sup>
approx. glass thickness	48 mm	52 mm



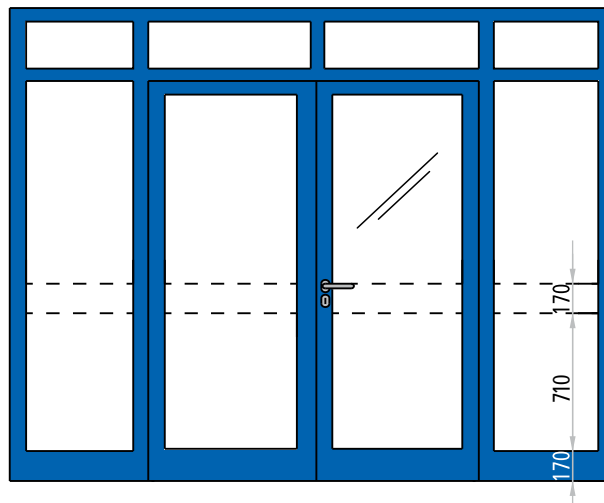
# Features

## Glazed aluminum doors



### DOOR WITH FIXED ELEMENTS REI 90 AND REI 120 DOOR WITH LOCK RAIL EI<sub>2</sub>120 DOOR WITHOUT LOCK RAIL

- Fire-rated glazing made with special steel/aluminum profiles.
- Heavy steel three-wing hinges welded onto the profile rotate on thrust-bearing cushions and stainless steel pivots.
- Self-locking lock, to be opened by simple rotation of the handle.
- 'Yale' cylinder in nickel-plated brass.
- Stainless steel handle mounted on active (main) leaf at 1040 mm above the finished floor level or at 965 mm when combined with Fast Touch panic bars\*.
- Self-closing device composed of double door closer with slide channel and integrated closing regulator.
- Self-locking latch on inactive leaf.
- Rebate sealing and thermo-expansive materials.
- Fire rated glass composed of extra-clear float panels with thermo-expansive fire proof material interposed.
- Special finishing with thermoset powder paints.
- Subframe to be ordered separately, made of galvanized steel tubing with anchors for mortar fixing (80 x 20 x 2 mm).
- Complex REI 90 and REI 120 fire-rated glazed pane in conformity with UNI 9723.
- Complex EI<sub>2</sub>120 fire-rated glazed pane in conformity with EN 1634-1.

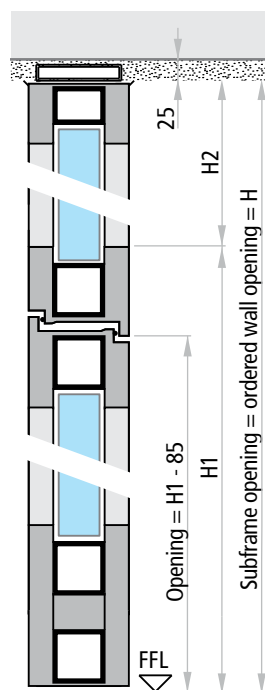


#### NOTE

For other dimensions please contact the Ninz technical department.

Any joint that might be required to reduce size requirements for transport and on-site maneuvering shall be invoiced as separate items (maximum possible size without junctions is 2500 x 3000mm).

\* Fast Touch panic bar to be installed only on glazed doors with lock rail.



#### Dimensions

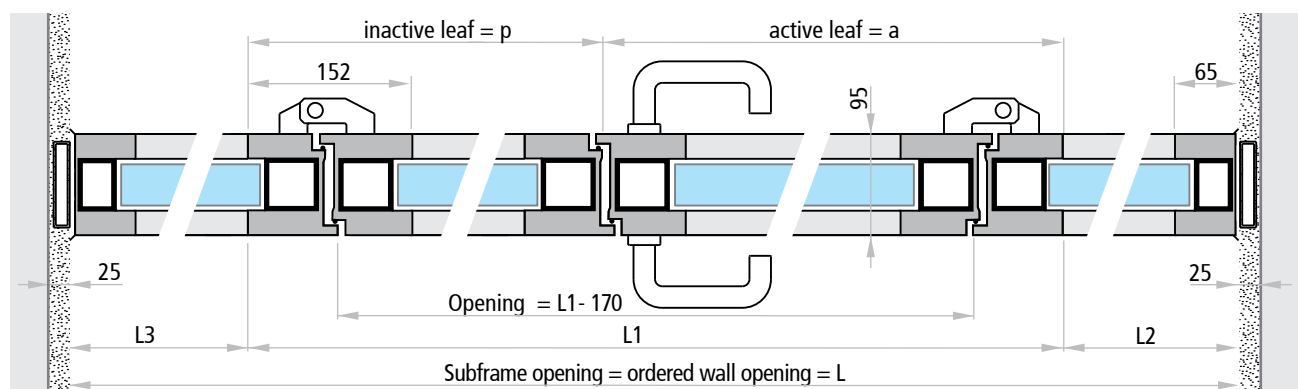
min. width	L1 = 1320	(a ≥ 567 p ≥ 420)
min. width with panic bar	L1 = 1600	(a ≥ 800 p ≥ 700)
max. width with or without panic bar	L1 = 2400	(a = 1200 p = 1200)
min. leaf height allowed	H1 = 1810	
min. leaf height for escape routes	H1 = 2085	
max. leaf height allowed	H1 = 2200	
L2, L3 and H2 measurements	min. 300	
recommended maximum (others on request)	L = 6000	H = 4000 area = 18m <sup>2</sup>

#### Net passage with 90° opening

with 2 EXUS panic bars	L1 - 602 mm
with 2 FAST TOUCH panic bars*	L1 - 502 mm
without panic bars	L1 - 352 mm

#### Data table

	REI 90	REI 120, EI <sub>2</sub> 120
casing thickness	95 mm	95 mm
door weight	130 kg/m <sup>2</sup>	140 kg/m <sup>2</sup>
approx. glass thickness	48 mm	52 mm





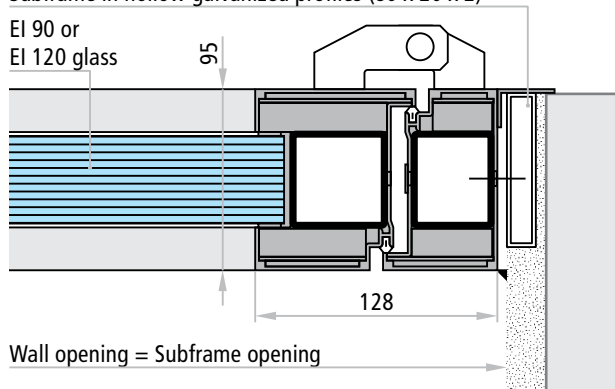
## REI 90, REI 120 AND EI<sub>2</sub>120 INSTALLATIONS

Fire-rated glazed closures made of steel/aluminum are made to measure, which means that the required dimensions and the selected installation method must be specified in the order.

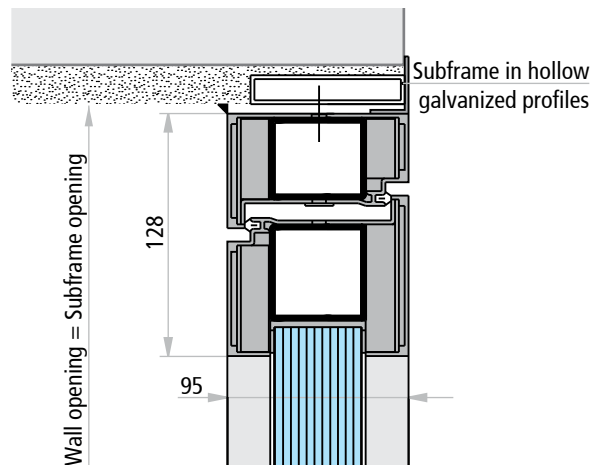
### Installation (1): mounting on external rebate

Subframe in hollow galvanized profiles (80 x 20 x 2)

EI 90 or  
EI 120 glass



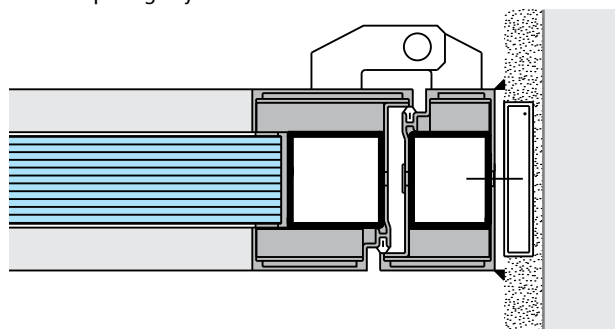
horizontal cross section



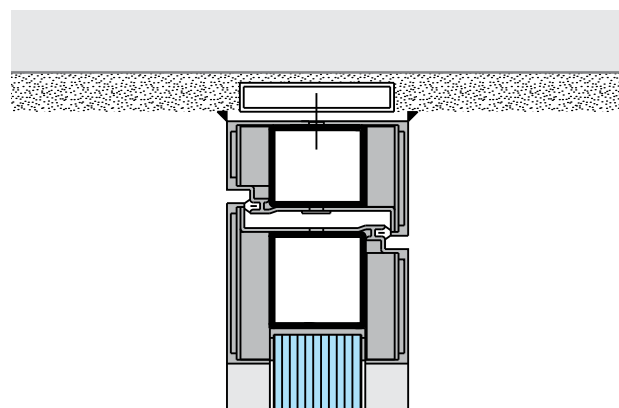
vertical cross section

### Installation (2): mounting onto block frame

Limited opening beyond 90°



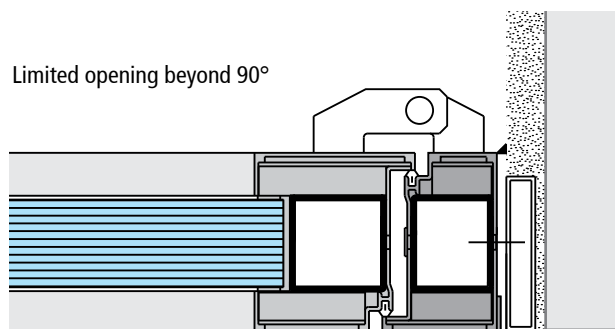
horizontal cross section



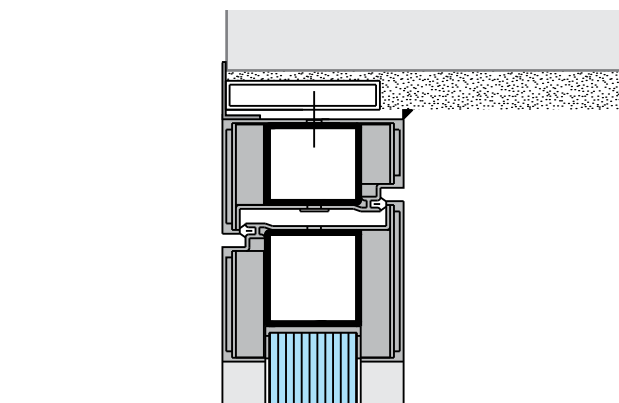
vertical cross section

### Installation (3): mounting on internal rebate

Limited opening beyond 90°



horizontal cross section



vertical cross section



### PAINTING FOR STEEL/ALUMINUM GLAZED DOORS

The glazed aluminum doors come with special finishing in thermoset powder paints. The colors reported in the table (side) are always available. Other colours are available on request only.

#### ATTENTION

The paint deteriorates upon exposure to direct sunlight or atmospheric agents.

#### Colors always available:

RAL	RAL	RAL	RAL	RAL	RAL	RAL	RAL
1013	3000	5010	6005	7016	7035	8017	9005

RAL	RAL	NCS	NCS
9006	9010	4020-B50G	5020-B50G

#### Anodized colors:

	light	dark	
silver	bronze	brown	black

#### Wood pattern:

of choice from the Decoral range

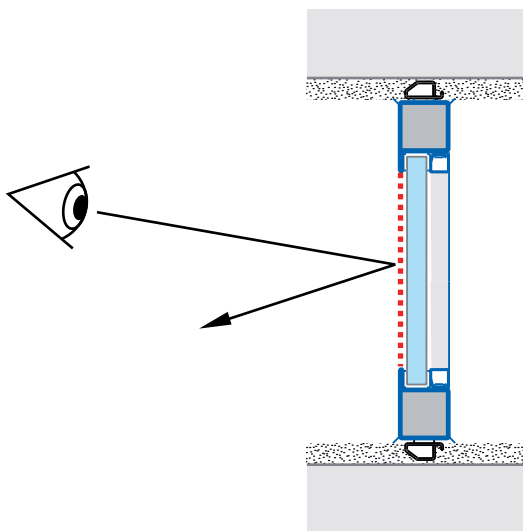
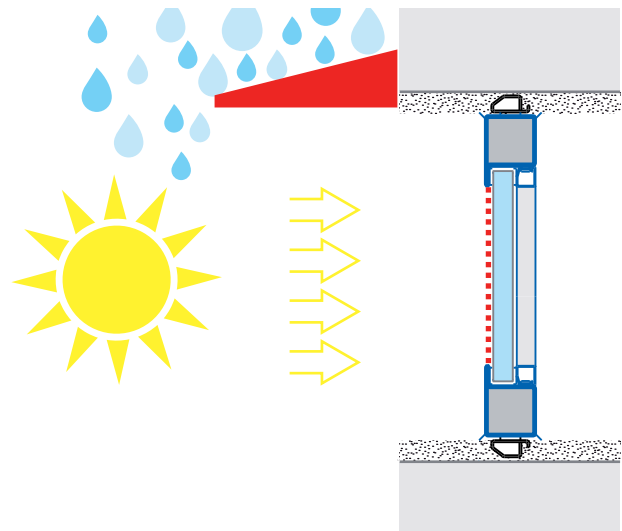
# Special treatments

For fire rated glazed doors

## TREATMENTS FOR EXTERIOR USE

When glazed doors are used in locations exposed to direct UV rays from sunlight or internal lighting, special glass protection and coloration/paint is available to adapt to this environment. The side of the glass that requires special treatment will need to be specified (the glazing bead side or the opposite side). If left unspecified, the special treatment will be applied to the side opposite to the glazing bead (hinged side). A sticker will be applied to indicate the protected side for purposes of assembly and installation.

**Glazed doors for external environments should always be protected from water.**



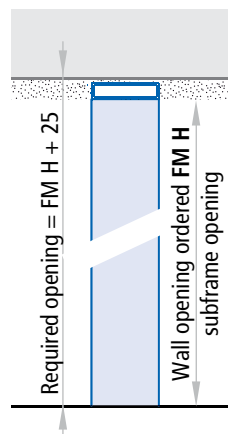
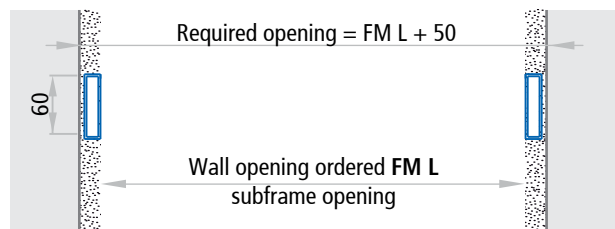
## FILM

To reduce or prevent external visibility while maintaining optimal internal visibility, all fire-rated glasses may be equipped with opacifying or covering films (black or white) that have been designed for the purpose. The side of the glass that requires special treatment will need to be specified (the glazing bead side or the opposite side). If left unspecified, the film will be applied to the opposite side of the glazing bead (non-hinged side).

## THREE-SIDED SUBFRAME

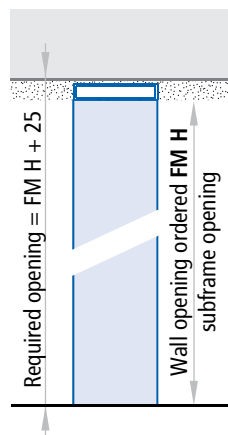
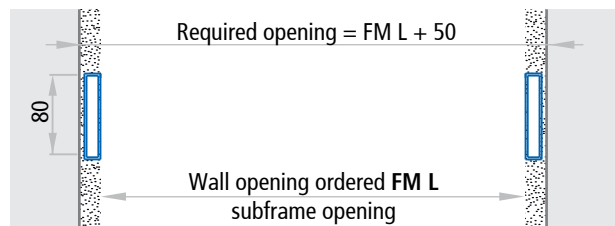
### REI 60 in steel/aluminum

Subframe for REI 60 steel/aluminum one-leaved, two-leaved and complex glazed doors. Made of hollow galvanized steel profiles with a 60 x 20 x 2 mm rectangular section. Includes spacers that can be disassembled and anchors for mortar fixing.



### REI 90, REI 120 or EI<sub>2</sub>120 in steel/aluminum

Subframe for REI 90, REI 120 and EI<sub>2</sub>120 one-leaved, two-leaved and complex glazed doors made of steel. Made of hollow galvanized steel profiles with a 80 x 20 x 2 mm rectangular section. Includes spacers that can be disassembled and anchors for mortar fixing.



#### NOTE

The subframe optional accessory must ordered separately.

#### ATTENTION

Order measurements for subframes are the same as their internal measurements, which correspond to the order measurements (FM) for the glazed door.



# Door closers

For fire rated glazed doors

## DOOR CLOSER

Door closers serve to ensure the automatic closing of glazed doors and allow for the regulation of closure force, speed and final impact. Door closer products are addressed by EU directive 89/106/CEE, which means they are subject to CE marking.

### CP1 and CP2 optional colors:

	RAL	RAL
dark bronze	9016 white	9005 black

### CP1 with scissor arm

CE marked in conformity with EN 1154.

As standard, one- or two-leaved glazed steel doors are equipped with an overhead CP1 door closer with a silver-colored scissor arm. The CP1 is suited for use on fire rated glazed doors and has been classified for 180° closure with a force level of 3 or 4. Installation holes are pre-drilled into the leaf and frame.

#### NOTE

Arm protrusion = 290 mm

Model	maximum opening in the absence of obstacles		
	one-leaved door	active leaf	inactive leaf
CP1	180°	180°	180°
CP2	180°		
CP2-EMF	120°		

Model	power supply	absorption	CE certification	standard
CP1	-	-	0432-BPR-0054	EN 1154
CP2	-	-	0432-BPR-0051	EN 1154
CP2-EMF	24V DC	58,3mA	0432-BPR-0051 0432-BPR-0025	EN 1154 EN 1155



### CP2 with slide channel

CE marked in conformity with EN 1154.

The CP2 overhead door closer with slide channel is suited as standard for the aluminium one-leaved glazed doors and on request for steel glazed doors. Relative to the CP1, the advantage of this system is the absence of a protruding arm.

The CP2 is suited for use on fire rated glazed doors and has been classified for 180° closure with force level 4.

Glazed doors ordered with CP2 are provided with pre-drilled installation holes on the door leaf and the frame.



### CP2-EMF with slide channel and electro-mechanical check

CE marked in conformity with EN 1154 and EN 1155.

The CP2-EMF differs from the CP2 in that it has an electro-mechanical hold-open device that allows the door leaf to be locked at an angle ranging from 80° to 120°. During alarms or power outages, the hold-open device is unlocked and the door is closed by the door closer.

The CP2-EMF can be used on fire rated glazed doors and has a maximum opening range of 120°, with a closing force set at 4.

Glazed doors ordered with CP2-EMF are provided with pre-drilled installation holes on the door leaf and the frame.



#### NOTE

For size's reasons, the CP2 door closers can't be used in combination with the SR390 closing regulator (as series). Use the RC2 system.

#### NOTE

For the automatic closing of doors exposed to strong winds, the use of a door closer with a higher closing force is recommended.

# Closing regulators

For fire rated glazed doors

## CLOSING REGULATORS

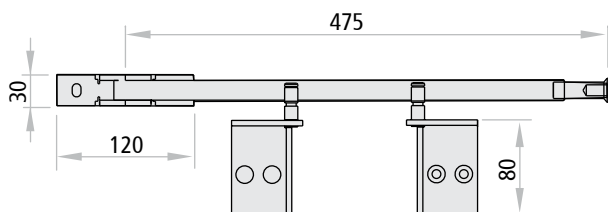
Closing regulators administer the closure of two-leaved doors so that the inactive leaf is overlaid on the active leaf upon final closure. This is why it is mandatory to apply closing regulators to all two-leaved fire doors.

**There are two systems for applying it to the door:**

- separated from the self-closing system of the door closer
  - incorporated into the closure system of the door closer
- Closing regulators are addressed by EU directive 89/106/CEE, which means they are subject to **CE** marking.

### SR390 closing regulator

The SR390 closing regulator device is distinct from the door closer and is a standard element of fire rated glazed steel doors with two leaves. **CE** marked in conformity with EN 1158.



Model	maximum opening in the absence of obstacles		power supply
	active leaf	inactive leaf	
SR390	180°	180°	-
RC2	180°	180°	-
RC2-EMF1	180°	130°	24V DC
RC2-EMF2	130°	130°	24V DC

Model	absorption	CE certification	standard
SR390	-	0432-BPR-0026	EN 1154
RC2	-	0432-BPR-0051	EN 1154
		0432-BPR-0026	EN 1158
RC2-EMF1	58,3 mA	0432-BPR-0051	EN 1154
RC2-EMF2	116,6 mA	0432-BPR-0025	EN 1155
		0432-BPR-0026	EN 1158



The SR390 regulator is suited for fire doors and has been classified for force levels ranging from 3 to 7.

### RC2 system

**CE** marked in conformity with EN 1154 and EN 1158.

The RC2 closing regulator system is suited as standard for the aluminium two-leaved glazed doors and on request for two-leaved steel glazed doors.

The RC2 closing regulator system is incorporated into the door closer, and consists of 2 CP2 with force EN 4 with a slide channel and a regulator integrated into the upper sliding guide. The entire system is silver colored.

#### RC2 optional colors:

	RAL	RAL
dark bronze	9016 white	9005 black

### RC2-EMF1/RC2-EMF2 systems

**CE** marked in conformity with EN 1154, EN 1158 and EN 1155.

The RC2-EMF1 system differs from the RC2 in that it has an electro-mechanical hold-open device that allows the door leaf to be locked at an angle ranging from approx. 80° to 130°. The active leaf is held open by the closing regulator system at an angle ranging up to max 150°.

Moreover the system RC2-EMF2 comes with two electro-mechanical hold-open devices which can either arrest just the active or both leaves up to an angle ranging for each leaf of between 80° to 130°.

In case of fire alarm or power outage the hold-open device, or both devices release the leaves, which are then closed by the door closer.

#### NOTE

For the automatic closing of doors exposed to strong winds, the use of a door closer with a higher closing force is recommended.



The RC2, RC2-EMF1 and RC2-EMF2 systems are suited for use on fire rated doors and is classified for both door closers with force level EN 4.

Minimum wall opening of 1320mm and minimum of 420mm for the inactive leaf.

Doors ordered together with the systems RC2, RC2-EMF1 and RC2-EMF2 feature pre-drilled fixing holes on the leaf and the doorframe.

#### The RC2, RC2-EMF1 and RC2-EMF2 systems present multiple advantages:

- no protruding door closer arms
- regulator concealed in the upper guide (even when the door is open)
- controlled closure of both leaves
- no visible magnets (not available for RC2)
- possibility of holding both leaves open in the desired position (RC2-EMF1 and RC2-EMF2 systems)
- possibility of holding only the active leaf in the desired position (RC2-EMF2 system).

# Electric handle

For fire rated glazed doors

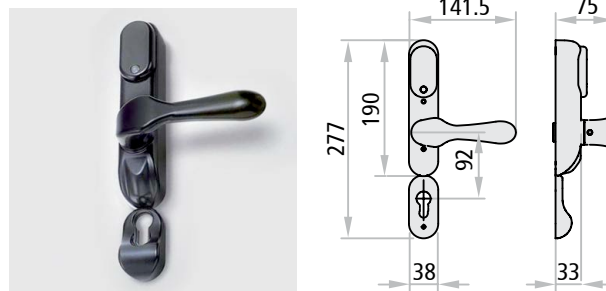
## ELM/CISA MULTI-VOLTAGE ELECTRIC HANDLE

Controlled door opening system that employs an electronic device to activate the handle. Equipped with a separate timer (for insertion into the switch box) which can be set for different opening times: from a minimum of 0,1 second to a maximum of 10 days. Equipped with green LED that signal activation of the handle.

The ELM/cisa system includes: electric handles, 2 meters of power cable, cable sleeve for the connection between the leaf and the frame, 8/9 square spindle, fixing screws, adjustable timer packaged separately.

### Technical data

power supply	12/24V AC/DC
current absorbed	360mA
startup current	800mA
operational temperature	-20°C ÷ +80°C
max. relative ambient humidity	95%



## PANIC BARS FOR COMBINATION WITH ELECTRIC HANDLE

### Function

Controlled opening is only possible for the 'pull' direction side (side on which the electric handle is installed) when combined with panic bars. Locking the lock by key blocks the electric handle functioning, while opening is still possible via the panic bar on the push side. For additional information see the dedicated pages.

### Use

One- or two-leaved doors of emergency exits.



The Fast Touch panic bar for combination with electric handle can be installed with all glazed door types with lock rail



Exus panic bar for combination with electric handle can be installed only with glazed door types REI 30, REI 60, EI<sub>2</sub>30 and EI<sub>2</sub>60



# Door blocking electromagnet

For fire rated glazed doors

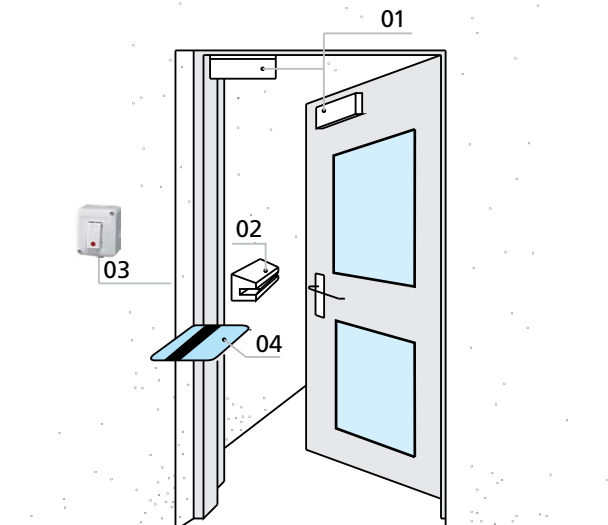
## CONTROLLED OPENING SYSTEM

This system is for use in special situations when the glazed doors remain closed and should only be opened with electrical consent. The electrically powered electromagnet holds the door closed with a holding force of approximately 300 kg, rendering the action of the handle ineffective. Only electrical commands (badge reader, key button, etc.) or electrical consent from the fire detector system can deactivate the electromagnet making a door opening possible.

### Operating mode

The door is held closed by the electromagnet (01) and the bolt of the lock. Opening from the outside can happen via magnetic card (04) using the Badge reader (02) of the card control system or any other system of choice and by retracting the bolt using the handle or key.

From the inside, the deactivation of the electromagnet is caused by the unlock button (03) (also remotely) or with the same system used for the pull side, while the locking bolt must still be retracted using the handle or key. The activated electromagnet signals its state with a red LED, whereas the green LED signals the temporary deactivation. Further a relay n.o./n.c. signaling the electromagnetic state is supplied.



**NOTE**  
Unblocking of the door is only possible if the door is not locked by key.

### Technical data

power supply	12/24V DC	time delay	0 ÷ 90 sec.
current absorbed	500mA at 12V DC - 250mA at 24V DC	electromagnetic compatibility standard	EMC - UNI CEI 70011
force	up to 300kg.	certificate Nr.	0123/02

## COMPONENTS FOR INDIVIDUAL ORDERING

### (01) Flat electromagnet

300 kg withholding force, 12/24V DC for glazed doors  
*includes:* anchor and attachment plate

### (02) Unlock button

### (03) Card-based control system

with timer and AC adapter incorporated  
*includes:* badge reader, control unit for 1 glazed door, flat cable, three blank badges and one simple coded magnetic badge. Management of access control for multiple doors by P.C.

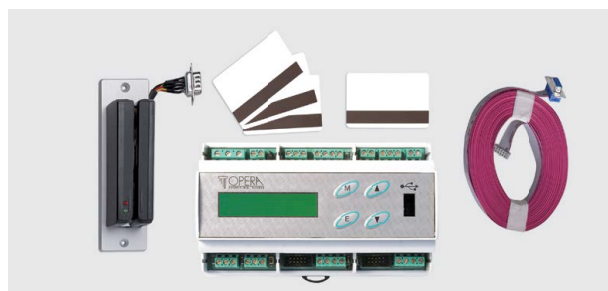
### Technical data

power supply	230 V AC
output	12 V DC, max. 0,5 A



(01) Electromagnet

(02) Unlock button



(03) Card-based control system

# Door-holding systems

For fire rated glazed doors



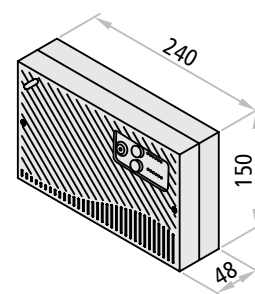
## C2 MONO-ZONE CENTRAL UNIT

Certified in accordance with EN 54-2 and EN 54-4 standards. The central unit designed and built in conformity with UNI EN 54 standards, which regulate unit for fire alarms and related accessories which each must conform with EN 54 standards.

To use for the management of the door-holding electromagnets for fire-rated closures. Control all outputs towards the heat and smoke detectors, the alarm activation/reset buttons, the external siren and the charge of buffer batteries. Any breakdown or malfunction is signaled by LED on the front panel, and by internal acoustic signal for specific cases. There are three ways to reset alarm or breakdown signal: by a button located near the central unit, or by two other buttons of the front panel, one of which can be activated with key only.

### Technical data

model	52002
primary power supply	230V AC, 100mA, 50-60Hz
auxiliary power supply	2 batteries, 12V DC - 1,1 ÷ 1,3 Ah
„I” current	min. 264mA ÷ max. 424mA
maximum output current battery	300mA
buffer battery charger output	24V DC (27.6V DC)
protection rating	IP30
operational temperature	-5°C ÷ +40°C
operational zones	single zone (mono-zone)
acoustic alarm	internal buzzer
"low battery" signal	intermittent internal buzzer
CE certification	0051-CPD-0264
conformity with standards	EN 54-2 +A1:2006 EN 54-4:1997 + A1:2002 + A1:2006



### ATTENTION

According to standard EN 54-4, it is obligatory for the mono-zone central unit to be equipped with:

- Nr. 1 heat/smoke detector RFC certif. EN 54-7
- Nr. 1 pair of buffer batteries
- Nr. 1 external electronic siren certif. EN 54-3
- Nr. 1 alarm activation button certif. EN 54/11
- Nr. 1 fire/failure alarm deactivation button

### MANAGES

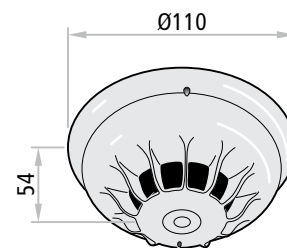
- max. Nr. 5 RFC heat/smoke detectors
- max. Nr. 5 alarm activation buttons
- max. Nr. 2 electronic sirens
- Nr. 4 EM or EMP or EMr electromagnets
- Nr. 2 buffer batteries

## RFC HEAT AND SMOKE DETECTOR

Certified in accordance with EN 54-7 standard. RFC heat and smoke detector characterized by white ABS casing. Optical/thermic operation with intervention temperature to be set between 54 and 65°C. To ensure proper functioning, the detectors must be subjected to regular 6-month maintenance checks. Please note that it is inadvisable to position the sensor where strong air currents are present.

### Technical data

operational voltage	11 ÷ 33V DC, typically 24V DC
consumption at rest, at 24V DC	67µA
absorption of alarm at 24V DC	45mA



### Technical data

operational temperature	-20°C ÷ +70°C
conformity with standards	EN 54-7

## BUFFER BATTERIES

Pair of rechargeable buffer batteries, 12V DC - 1.2Ah



# Door-holding systems

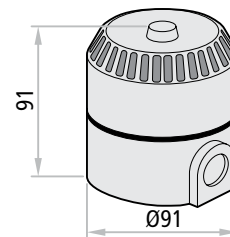
For fire rated glazed doors

## ELECTRONIC SIREN

In red color ABS, includes a volume control function for installation in internal and external environments. The connection is made using double clamps (6) for branching. With 28 or 32 selectable tones and a second tone for two-phase alarms.

### Technical data

power supply	9 ÷ 28V DC
absorption by alarm at 12V DC	8mA
absorption by alarm at 24V DC	16mA
protection rating	IP65
operational temperature	-25°C ÷ +70°C
conformity with standard	EN 54-3

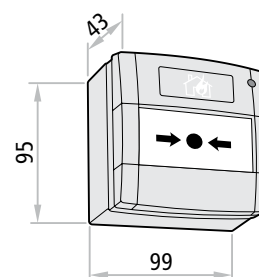


## ALARM ACTIVATION BUTTON

In red color ABS with a weight of 110 gr. Pressure on the plastic front plate activates the electrical contact. Re-arming of the contact is executed manually using a key (provided).

### Technical data

power supply	max. 30V DC
protection rating	IP41
operational temperature	max. +65°C
internal exchange contact	n.o./n.c.
conformity with standard	EN 54-11

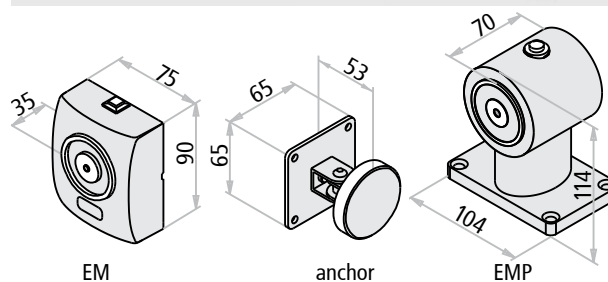


## EM-EMP ELECTROMAGNETS

EM wall electromagnet with white plastic casing, EMP floor electromagnets consisting of a galvanized metal core, both complete with unlock button. Anchor consisting of a nickel-plated plate and jointed baseboard.

### Technical data

power supply	24V DC
absorption	60mA
force	50kg.
CE certification	0407-CPD-011 (IG-098-2004) /04
conformity with standard	EN 1155



## EMr ELECTROMAGNET

EMr electromagnet does not feature an unlock button as the unlocking is to be done manually by pulling the leaf. The holding force is 50kg, while the release force may be set between 4 and 12kg. This avoid damaging the fixture of the electromagnet on the wall (ripping off the plugs) in particular when mounted onto plasterboard. Housing made of stainless steel.

### Technical data

electromagnet overall dimensions	Ø 90 - H 40 mm
anchor protrusion	H 40 or H 80 mm
power supply - absorption	24V DC - 60mA
force - release force	50kg. - settable between 4 and 12kg.
CE certification	0407-CPD-095 (IG-208-2006)
conformity with standard	EN 1155



**EXUS<sup>®</sup>**

**EXUS<sup>®</sup>**



## PRESENTATION

### EXUS® panic bars

Ninz S.p.A. is a leader in fire doors and has once again reasserted itself as a visionary company with a strong identity created by its continuous research into the design and technology of its own products, such as the new line of EXUS® panic bars.

EXUS® panic bars are CE marked in accordance with European standard EN 1125:2008, which entered in effect January 01, 2010, and which prescribes a several substantial changes that further extend the requirements for maximum safety and ease of opening.

### The KIT designed for your needs

When ordered separately from the door, the EXUS® series of panic bars is provided in elegant and functional KITS packaged for presentation in the most appropriate format for distribution.

Packaging in KITS ensures customers, installers and therefore the final users that they are receiving a complete anti-panic system with fully corresponding parts that are all CE certified.

### Finishing

Attention to detail and proportions are highlighted by select materials and finishing.

In addition to the **black PLASTIC** version combined with **anodized ALUMINUM** bars, new combinations include the all **brushed STAINLESS STEEL** version and the **polished chromed ALUMINUM** version combined with the **anodized ALUMINUM** bar. Many other color and surface combinations are possible for equally aesthetic solutions. The particular aesthetics of soft forms is one of the exclusive advantages of EXUS® panic bars, representing the fruit of designs generated in collaboration with Studio MM Design, which has been working with the company for many years.

### Certifications and replacements

Given the importance of maintaining the entire system's CE conformity, a special focus has been put on replacement parts, which have been subjected to testing in accordance with the EN 1125:2008 standard due to their pivotal role in maintaining CE certification.

The only way to ensure that the products maintain their original characteristics over time is by using **original NINZ replacement parts**.

For this reason, the instructions for EXUS® panic bars include additional indications regarding proper installation and maintenance plus a explosion assembly drawing that specifies every smallest detail of the certified system with all of the references required for ordering replacement parts.

With the new EXUS® panic exit device, NINZ S.p.A. demonstrates its willingness to believe in market development by investing in designs and company image in order to endow its own products with added value while maintaining highly competitive quality-price ratios.



Stainless steel handle

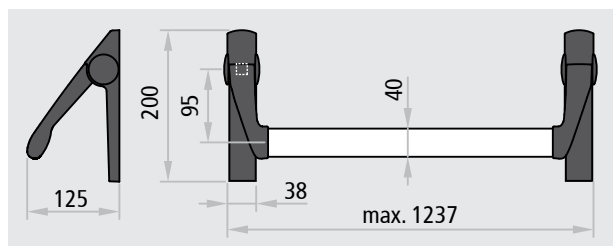
# EXUS® - Features, certifications

Panic bar



## FEATURES

- Newly designed product with a state-of-the-art technological concept
- Available in different color and surface combinations: brushed stainless steel for the lever arms and the bar, or aluminum with polished chrome lever arms and anodized aluminum bar, and finally the classic combination that never goes out of style - black plastic lever arms with anodized aluminum bar
- Certified for internal locks with 40 mm entrances for single leaves or active leaves, with 30 mm entrances for inactive leaves and with up to 45° spindle rotation
- Locking by key possible on the bar side as well
- Reversible for Right or Left mounting
- Protrusion 125 mm
- Proposed together with the door or separately in a complete KIT packaged in a black/yellow box
- Label applied to the packaging to identify the product's characteristics
- Wide range of variations to personalize: colored bar, special encrypted or mastered cylinders



## CERTIFICATION

Suited for one-leaved doors or the active and inactive leaves of two-leaved doors with dimensions up to 1350 x 2880 mm/leaf, masses up to 300 kg/leaf.

<b>CE</b>	
<b>Denomination</b>	EXUS PANIC EXIT DEVICE
<b>Manufacturer</b>	Ninz S.p.A. Corso Trento, 2/A I-38061 ALA (TN)/ITALIA
<b>Year application trademark</b>	08
<b>Nr. and year of the standard</b>	EN 1125:2008
<b>Certifying body</b>	0425
<b>CE certificate Nr.</b>	0425 CPD 1228
<b>Classification</b>	<b>3 7 7 B 1 3 2 1 A A</b>

- 1st Category of use very frequent
- 2nd Durability 200.000 cycles
- 3rd Door mass over 200 kg
- 4th Suitable for fire/smoke rated doors
- 5th Safety, suitable for evacuation routes
- 6th High corrosion resistance 96 h
- 7th Material safety 1000 N
- 8th Bar protrusion up to 150 mm
- 9th Activation type with push bar
- 10th Suitable for one- or two-leaved doors



EXUS® is a registered trademark owned by Ninz S.p.A.

Also suited for doors with classifications up to:



<b>ATTESTATO DI CONFORMITÀ</b> DIRETTIVA 89/106/CEE <b>CERTIFICATE OF CONFORMITY</b> DIRECTIVE 89/106/CEE		<b>CE</b> 0425
<small>Questo certificato è rilasciato in conformità a quanto prescritto dall'Art.5 par.2 lettera b) del DPR 21 aprile 1993, n°246 (Direttiva 89/106/CEE) ed attesta la conformità del prodotto di seguito identificato agli Art.1, Art.2 ed allegato A del DPR 21 aprile 1993, n°246 (Direttiva 89/106/CEE) This certificate has been issued in conformity to what prescribed by the Art.5 par.2 letter b) of the DPR 21/04/1993, n°246 (Directive 89/106/EEC) and certifies the conformity of the product described below to the Art.1, Art.2 and attachment A of DPR 21/04/1993, n°246 (Directive 89/106/EEC)</small>		
<b>ATTESTATO N°</b>	<b>0425 CPD 1228</b>	<b>CERTIFICATE N°</b>
<b>Organismo notificato</b>	ICIM S.p.A. - Piazza Don Mapelli, 75 - 20099 Sesto San Giovanni (MI) ITALY	<b>Notified Body</b>
<b>Dati Fabbricante</b>	NINZ S.p.A. Corso Trento, 2/A - 38061 ALA (TN) ITALY	<b>Manufacturer</b>
<b>Sede legale</b>	NINZ S.p.A. Corso Trento, 2/A - 38061 ALA (TN) ITALY	<b>Head office</b>
<b>Unità operativa</b>		<b>Operative unit</b>
<b>Dati prodotto</b>	<b>Product</b>	
<b>Tipologia</b>	<b>DISPOSITIVI ANTIPANICO PER USCITE DI SICUREZZA AZIONATI MEDIANTE UNA BARRA ORIZZONTALE</b> <b>PANIC EXIT DEVICES</b>	
<b>Denominazione</b>	serie "TWIST" "EXUS LP" "EXUS LA" "EXUS LX"	<b>Denomination</b>
<b>Serrature antipanico</b>	art. AP18/18, SCA 1 3201001 019020, MAC 1 3201001 041042, 4506002 17 (V), 3201001 018, 485-65-0, 4506002 22 (V), 516310-02, RL 4 (V), 516310-04-U-8 (V), art. AP020P, AP020U, 4506002 18 (V), 3201001 6, 43190 95, 51880 1004 (V).	
<b>Controserrature antipanico</b>		
<b>Dispositivo superiore</b>	art. 3105080, 3105024, 4506003 (V), 3305003, 511795 0001 (V), 51895 0003 (V).	
<b>Riscontro asta</b>	art. 2401036, 2401046, 2401044, 4506005 (V), 2401002, 89000 0567 (V), 89000 0490 (V).	
<b>Boccola pavimento</b>	art. 2401001, 2401007, 3105091, 4509006 (V), 2401020, 4419008, 89028 0001 (V).	
<b>Deviatori</b>	art. 4201010.	
<b>Aste verticali</b>	art. 3305015, 3305016, 3305002, 4506003 (V), 3305013, 960837, 89006 0014 (V), 89006 0005 (V).	
<b>Riscontro serratura</b>	art. 2401036, 2401005, 2401015, 2401014, 4506006 (V), 2401006, 2401035, 3412001, 89000 0402 (V).	
<b>Comandi esterni</b>	art. BM, BSP, BS, BMC, BC, B, A, BM inox, BM alu, BSP inox, BSP alu.	
<b>Sistema di attestazione della conformità</b>	1	<b>Attestation of conformity</b>
<b>Norma di riferimento</b>	EN1125:2008	<b>Standard</b>
<b>Classificazione</b>	<b>3   7   7   B   1   3   2   1   A   A</b>	<b>Classification</b>
<b>Eventuali estensioni</b>	Nessuna / None	<b>Extensions</b>
<b>Eventuali condizioni di subordinazione della Certificazione CE</b>	Nessuna / None	<b>Possible conditions of subordination of the CE Certification</b>
<small>Il presente attestato è valido esclusivamente per il prodotto indicato. Eventuali varianti da apportare devono essere approvate da ICIM SpA The present issue is valid only for the product described above. Possible changes to be brought in have to be approved by ICIM S.p.A.</small>		
<b>Data di emissione</b> First issue	<b>Emissione corrente</b> Current issue	<b>Data di scadenza</b> Expiring date
18/04/2007	26/06/2013	17/04/2017
		ICIM S.p.A.

**EXUS® LP IN BLACK PLASTIC**

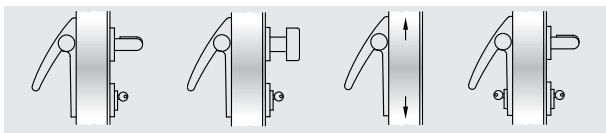


**Description**

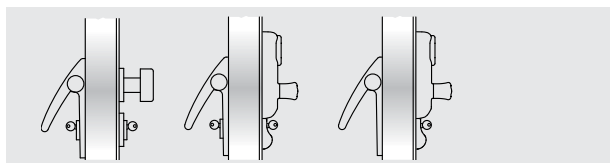
The EXUS LP panic exit device consists of an anodized aluminum horizontal bar that inserts into the lever arms attached to the command mechanisms which activate the lock.

- Reversible for right or left opening
- For application to single leaf and two-leaved doors
- The horizontal bar is made of extruded anodized aluminum with an elliptical cross-section measuring 40 x 20 mm and a length of 1150 mm
- Two black plastic lever arms with galvanized steel core
- The two command mechanisms are made of galvanized steel with black plastic cover plates, one of which has an EXIT label that identifies the lock side
- The lock is anti-panic/fire rated for Euro profile cylinders
- Stainless steel external door furniture (handle and rosette)
- DC version with cylinder to pass

**VERSIONS AVAILABLE**



BM      BSP      A      DC BM



DC BSP      DC ELM      ELM

**EXUS LP (SUPPLIED WITH THE DOOR)**

**For single leaves or the active leaf (main leaf) of two-leaved doors:**

*Included (mounted on the door):* panic lock and strike plate insert

*Included (supplied in the package):* Nr. 2 command mechanisms, Nr. 2 black plastic cover plates, Nr. 2 black plastic lever arms, Nr. 1 anodized aluminum bar, Nr. 1 stainless steel external door furniture, Nr. 1 half-cylinder with 3 keys, Nr. 1 cylinder to pass with 3 keys (DC version only), Nr. 1 drilling template, Nr. 1 adhesive pictogram (green arrow), Nr. 1 set of installation/maintenance instructions

*Versions available:* BM, DC BM, BSP, DC BSP, DC ELM, ELM  
*ELM electric handle:* see the dedicated pages

**For the inactive leaf of two-leaved doors:**

*Included (mounted on the door):* panic lock, upper re-latch device, upper strike plate and vertical rods

*Included (supplied in the package):* Nr. 2 command mechanisms, Nr. 2 black plastic cover plates, Nr. 2 black plastic lever arms, Nr. 1 anodized aluminum bar, Nr. 1 floor-mounted floor catch, Nr. 1 carrier arm, Nr. 1 drilling template, Nr. 1 adhesive pictogram (green arrow), Nr. 1 set of installation/maintenance instructions

*Versions available:* A

**VARIATIONS ON REQUEST** (see dedicated page)

- Aluminum bar painted in RAL colors
- Mastered or coded cylinders
- Microswitch and cable sleeve for signaling when the door is open

**NOTE**

EXUS LP DC ELM and ELM versions not available for REI 90, REI 120 and EI<sub>2</sub>120 glazed doors.

**EXUS® LA IN ALUMINUM**

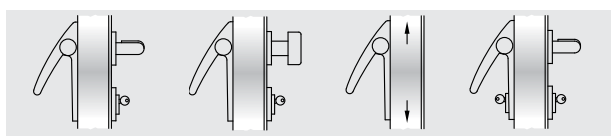


**Description**

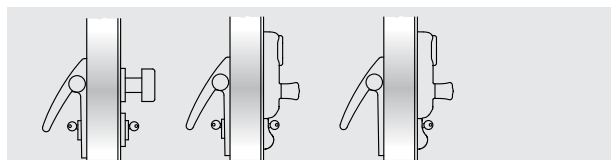
The entire EXUS LA panic bar is made of stainless steel, and consists of a horizontal bar that inserts into lever arms attached to the command mechanisms which activate the lock.

- Reversible for right or left opening
- For application to single leaf and two-leaved doors
- The horizontal bar is made of extruded anodized aluminum with an elliptical cross-section measuring 40 x 20 mm and a length of 1150 mm
- The two lever arms are made of an aluminum alloy with a polished chrome finish
- The two command mechanisms are made of galvanized steel with aluminum alloy cover plates with a polished chrome finish, one of which has an EXIT label to identify the lock side
- The lock is anti-panic/fire rated for Euro profile cylinders
- Stainless steel door furniture (handle and rosette)
- The arms, carters and carter covers are finished with tri-valent chrome in compliance with the ROHS regulation
- DC version with cylinder to pass

**VERSIONS AVAILABLE**



BM      BSP      A      DC BM



DC BSP      DC ELM      ELM

**EXUS® LA (SUPPLIED WITH THE DOOR)**

**For single leaves or the active leaf (main leaf) of two-leaved doors:**

*Included (mounted on the door):* panic lock and strike plate insert

*Included (supplied in the package):* Nr. 2 command mechanisms, Nr. 2 polished chrome aluminum cover plates, Nr. 2 polished chrome aluminum lever arms, Nr. 1 anodized aluminum bar, Nr. 1 stainless steel external door furniture, Nr. 1 half-cylinder with 3 keys, Nr. 1 cylinder to pass with 3 keys (DC version only), Nr. 1 drilling template, Nr. 1 adhesive pictogram (green arrow), Nr. 1 set of installation/maintenance instructions

*Versions available:* BM, DC BM, BSP, DC BSP, DC ELM, ELM  
*ELM electric handle:* see the dedicated pages

**For the inactive leaf of two-leaved doors**

*Included (mounted on the door):* anti-panic safety lock, upper re-latch device, upper strike plate and vertical rods

*Included (supplied in the package):* Nr. 2 command mechanisms, Nr. 2 polished chrome aluminum cover plates, Nr. 2 polished chrome aluminum lever arms, Nr. 1 anodized aluminum bar, Nr. 1 floor-mounted floor catch, Nr. 1 carrier arm, Nr. 1 drilling template, Nr. 1 adhesive pictogram (green arrow), Nr. 1 set of installation/maintenance instructions

*Versions available:* A

**VARIATIONS ON REQUEST** (see dedicated page)

- Aluminum bar painted in RAL colors
- Mastered or coded cylinders
- Microswitch and cable sleeve for signaling when the door is open

**NOTE**

EXUS LA DC ELM and ELM versions not available for REI 90, REI 120 and EI<sub>2</sub>120 glazed doors.

It is not advisable to use the anti-panic bar EXUS LA for marine environments or in particularly humid areas. For these situations the use of the anti-panic bar EXUS LX is recommended.



**EXUS® LX IN STAINLESS STEEL**

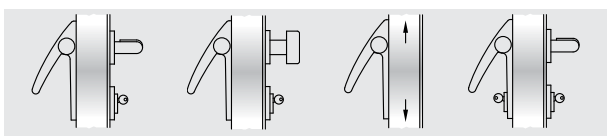


**Description**

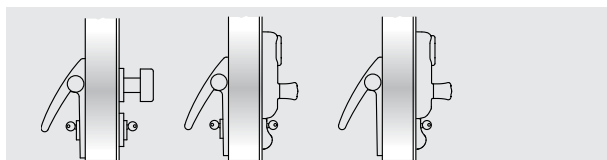
The entire EXUS LX panic exit device is made of stainless steel, and consists of a horizontal bar that inserts into the lever arms attached to the command mechanisms which activate the lock.

- Maximum corrosion resistance and noteworthy robustness of the entire set
- Optimal aesthetic appearance
- Reversible for right or left opening
- For application to single leaf and two-leaved doors
- The horizontal bar is made of AISI 304 brushed stainless steel with an elliptical cross-section measuring 40 x 20 mm, length of 1150 mm
- The two lever arms are made of AISI 304 brushed stainless steel
- The two command mechanisms are made of AISI 304 stainless steel
- The two carter covers and cover caps are made of AISI 304 brushed stainless steel, and one is labeled with EXIT to identify the lock side
- The lock is anti-panic/fire rated for Euro profile cylinders
- External door furnitures in stainless steel
- DC version with cylinder to pass

**VERSIONS AVAILABLE**



BM      BSP      A      DC BM



DC BSP      DC ELM      ELM

**EXUS LX (SUPPLIED WITH THE DOOR)**

**For single leaves or the active leaf (main leaf) of two-leaved doors:**

*Included (mounted on the door):* panic lock and strike plate insert

*Included (supplied in the package):* Nr. 2 stainless steel command mechanisms, Nr. 2 stainless steel cover plates, Nr. 2 stainless steel lever arms, Nr. 1 stainless steel bar, Nr. 1 stainless steel external door furniture, Nr. 1 half-cylinder with 3 keys, Nr. 1 cylinder to pass with 3 keys (DC version only), Nr. 1 drilling template, Nr. 1 adhesive pictogram (green arrow), Nr. 1 set of installation/maintenance instructions

*Versions available:* BM, DC BM, BSP, DC BSP, DC ELM, ELM  
*ELM electric handle:* see the dedicated pages

**For the inactive leaf of two-leaved doors**

*Included (mounted on the door):* anti-panic safety lock, upper re-latch device, upper strike plate and vertical rods

*Included (supplied in the package):* Nr. 2 stainless steel command mechanisms, Nr. 2 stainless steel cover plates, Nr. 2 stainless steel lever arms, Nr. 1 stainless steel bar, Nr. 1 floor-mounted floor catch, Nr. 1 carrier arm, Nr. 1 drilling template, Nr. 1 adhesive pictogram (green arrow), Nr. 1 set of installation/maintenance instructions

*Versions available:* A

**VARIATIONS ON REQUEST** (see dedicated page)

- Mastered or coded cylinders
- Microswitch and cable sleeve for signaling when the door is open

**NOTE**

EXUS LX DC ELM and ELM versions not available for REI 90, REI 120 and EI<sub>2</sub>120 glazed doors.

# Fast Touch

Panic bar for internal locks - CEN EN 1125:2008

**NINZ**<sup>®</sup>  
FIREDOORS

## FAST TOUCH



### Description

- Harmony of dimensions, lines and weight thanks to precise design research makes Fast Touch adaptable to any environment
- Clean line with no protrusions, with lowered bar
- Clever manufacturing makes Fast Touch installation simple and rapid on wood, iron and aluminum doors in combination with panic latches for series 43000 insertion
- Fast Touch made of quality materials and operational mechanisms to ensure efficiency and duration over time

### Technical characteristics

- Reversible for right or left opening
- For application to single leaf and two-leaved doors
- Painted aluminum/aluminum alloy carters
- Painted aluminum bar that can be shortened down to 300mm on any model
- Galvanized steel internal components suited for fire doors
- The lock is anti-panic/fire rated for Euro profile cylinders

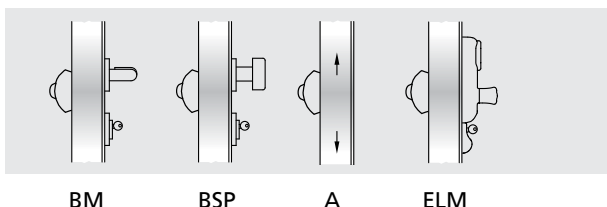
### Operation in standard configuration

- From the inside: pressing the bar; from the outside: by key and/or handle

### Standard finishing

- BLACK carter, RED bar
- Stainless steel door furnitures

### VERSIONS AVAILABLE



## FAST TOUCH SUPPLIED TOGETHER WITH THE DOOR

### For single leaves or the active leaf (main leaf) of two-leaved doors:

*Included (mounted on the door):* panic lock and strike plate insert

*Included (supplied in the package):* Nr. 1 Fast Touch panic bar set, Nr. 1 half-cylinder with 3 keys, Nr. 1 set of installation/maintenance instructions

*Versions available:* BM, ELM

*ELM electric handle:* see the dedicated pages

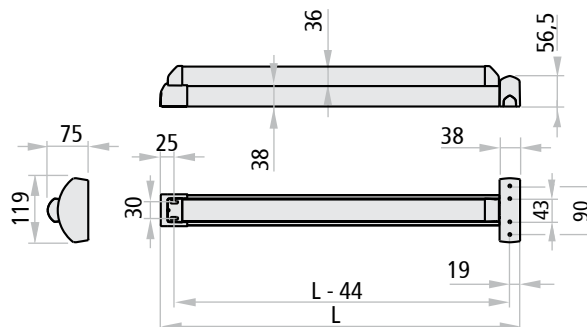
### For the inactive leaf of two-leaved doors

*Included (mounted on the door):* anti-panic safety lock, upper re-latch device, upper strike plate and vertical rods

*Included (supplied in the package):* Nr. 1 Fast Touch panic bar set, Nr. 1 floor-mounted floor catch, Nr. 1 carrier arm, Nr. 1 set of installation/maintenance instructions

*Versions available:* A

## DIMENSIONS/ENCUMBRANCES



## VARIATIONS ON REQUEST (see dedicated page)

- Microswitch and cable sleeve for signaling when the door is open

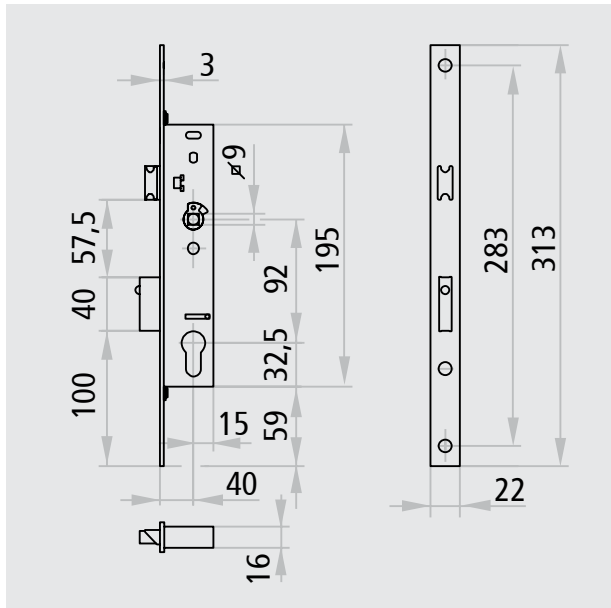
### NOTE

Fast Touch panic bar installable only on glazed doors with lock rail.

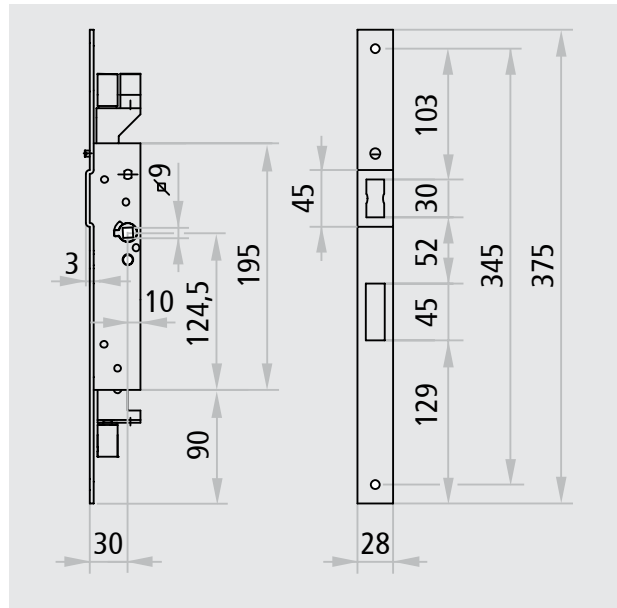
# Glazed door dimensional drawings

For panic bar components

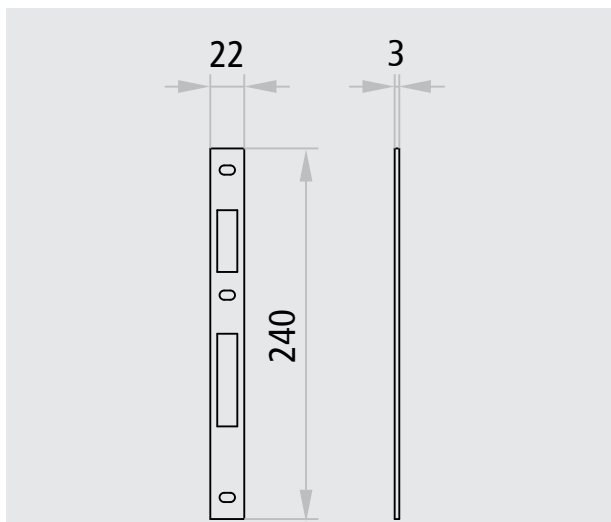
Article Nr.	Description
4506002.17(V)	Lock for single leaf or active leaf
4506002.18(V)	Safety lock for inactive leaf
4506006(V)	Strike box for one-leaved doors
3105000	Upper re-latch device and upper strike box for inactive leaf
3105099	Lower floor catch for inactive leaf



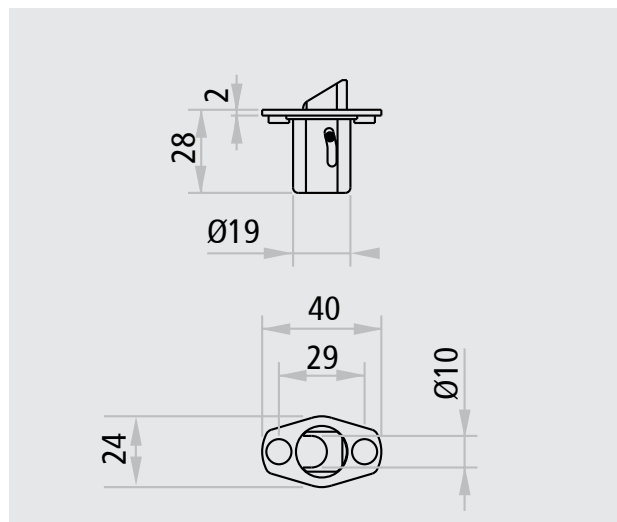
Lock for single leaf or active leaf



Safety lock for inactive leaf



Strike box for one-leaved door



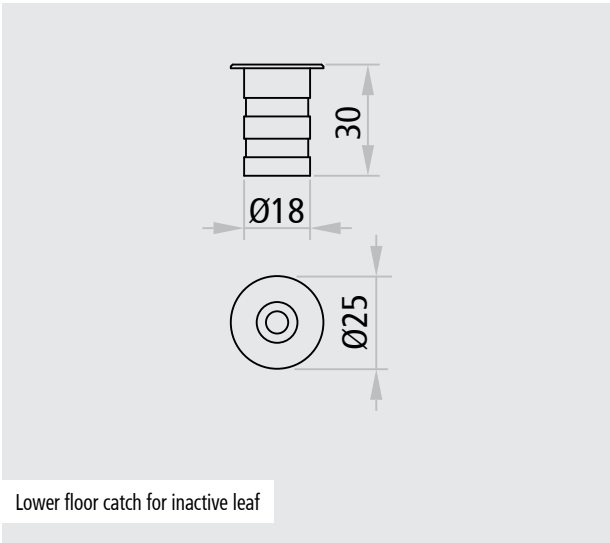
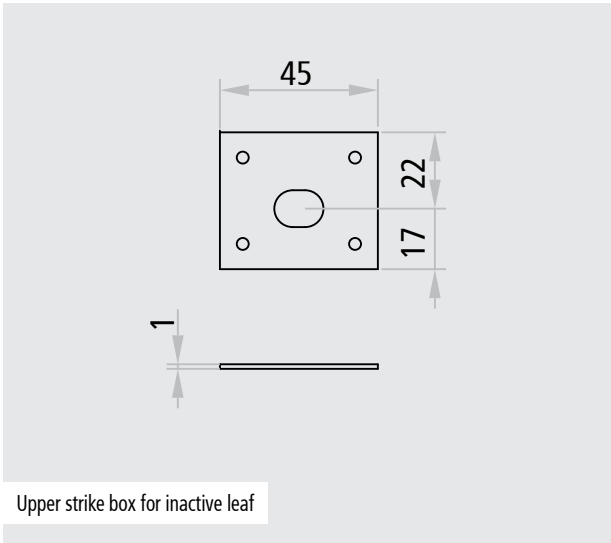
Upper re-latch device for inactive leaf

# Glazed door dimensional drawings

For panic bar components



GLAZED ALU  
doors



### ATTENTION

For special instructions and recommendations for glazed fire-rated products, see the "Notices" section on the last page of the present brochure.

### Handling, storage and use

Glazed doors and windows are to be used for internal compartmentation and should be installed in areas which are protected from direct sunlight, other heat sources and atmospheric agents.

Fire rated glass is sensitive to temperature, to water (also humidity) and to UV rays of solar radiation or particular forms of internal lighting.

For this reason it is fundamental for the order form to indicate when fire rated glass is required for EXTERNAL USE (exposure to the UV rays of solar radiation) or for use in the presence of UV-generating lamps.

Fire rated glass must be kept at any time (storage, handling, transport, provisional builder's yard, installation, use conditions after installation) dry and never exposed to temperatures below -40 °C or above +50 °C. This also applies to any direct exposure to sources of heat or strong light sources which could cause an increase of temperature above +50 °C.

Concentrated pressure on one spot only of the fire rated glass is not advisable.

Fire rated glazed panes need to be stored in a vertical position (maximum deviation of 6° from vertical) fully supported on solid surfaces that prevent slipping. The support side of pane must be evenly distributed and in contact over the entire length of the support surface.

Panels must be kept separated by soft spacers, for example cork.

Appropriate handling equipment and procedures considering the weight of fire rated glazings must be used and followed in every situation.

Fire rated panes must always be kept protected against exposure to direct sunlight or weather.

### Installation

The fire rated panes are provided with a special protective tape for the edges. This protective tape is an integral part of the product supplied; it must never be removed or tampered with, either temporarily or permanently. The perimetral sealing of silicone must always cover the protective tape on the edges once the glazing is installed.

The panes never shall be placed into their frames without the glazing beads and silicone sealing in position. The frames must be completely dry.

### Maintenance and cleaning

It is the user's duty to ensure that the sealing is preserved in good and dry conditions. The standard cleaning procedures and products intended for windows must be used for fire rated panes.

5002009/2 - C10  
EDITION 1-2016  
date of print: 22. April 2016



Ninz S.p.A. | Corso Trento 2/A | I-38061 Ala (TN)  
Tel. +39 0464 678 300 | Fax +39 0464 679 025  
info@ninz.it | www.ninz.it