

Vault doors type RVD

Grade I & II



Burglary protection

The Vault doors in Grade I and II are tested in accordance with the European standard EN 1143-1 and certified by SBSC.

Description

The Vault doors are produced in a construction that contain different protection material.

Locking

As standard the Strongroom door is provided with a changeable key lock type FAS/S&G 6890.

Available as option:

Mechanical or Electronic combination lock.

Electricity and alarm system

The Vault door is provided with alarm cabling between door and frame through one of the hinges as standard.

Dimensions

Clear height: 2000 mm

Clear width: 900 mm

Frame

The frame is designed for a wall thickness of 150 mm.

Colour

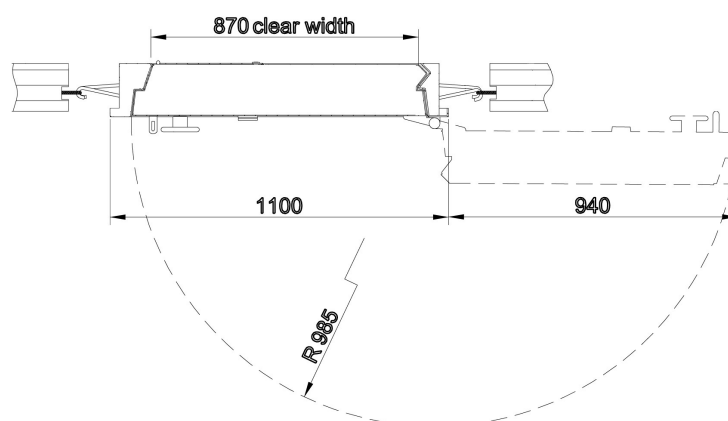
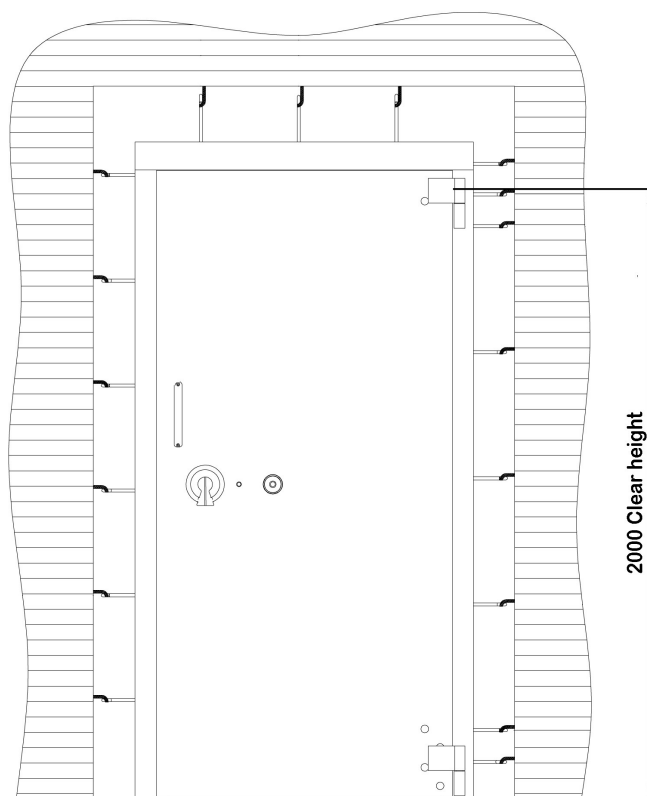
Primer paint

Dimensions and weight

See overleaf.

Dimensions and weight

Modell	Grade	Weight kilo
Robur RVD I	I	420
Robur RVD II	II	800



We reserve the right to alter the specification without prior notice.